

**Receiver**

**From**

Society  
Reference  
Address  
Phone  
Fax  
E-mail

**Item n° :**

60118028

**Model :**

EUROSWIM 50 M

**Pump data**

Pressure rating : 2,5 bar (250 kPa)  
Min. fluid temperature : 0 °C  
Max. fluid temperature : 60 °C  
Max. Ambient temperature : 50 °C

**Requested data**

Flow :  
Head :  
Fluid : Water  
Fluid Temperature : 20 °C  
Density : 998,3 kg/m³  
Kinematic viscosity : 1,005 mm²/s  
Vapor pressure : 2,34 kPa

**Hydraulic data (duty point)**

Flow :  
Head :

**Materials**

Pump body Reinforced technopolymer  
Impeller Reinforced technopolymer  
Diffuser Reinforced technopolymer  
Filter Technopolymer  
Mechanical seal Carbon/Alumina/NBR/AISI316  
Filter cover Polycarbonate  
O-ring NBR

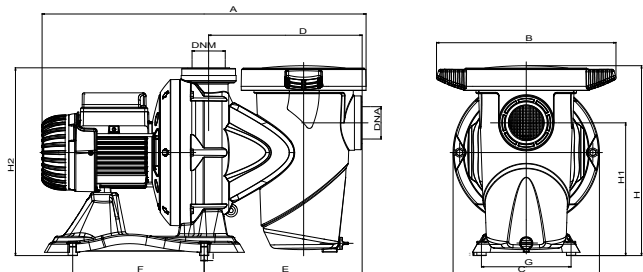
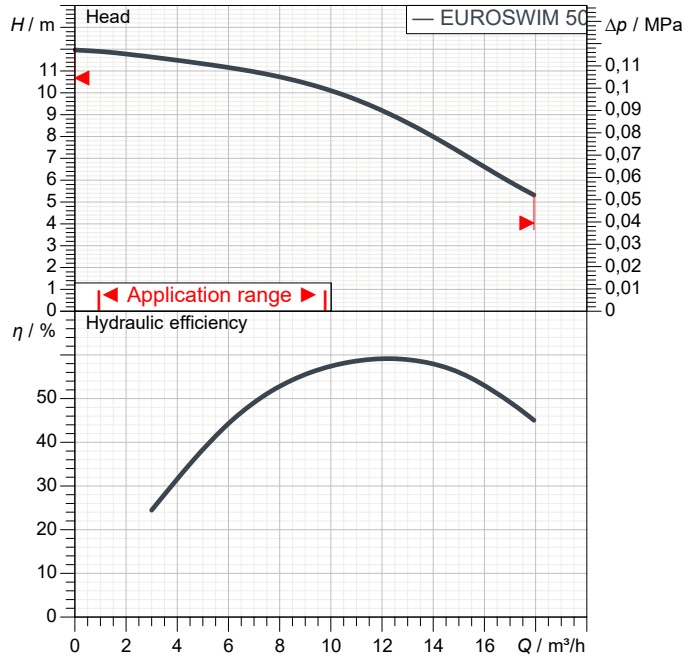
**Motor data**

Motor brand : DAB  
Nominal power P2 : 0,33 kW  
Rated speed : 2.900 1/min  
Rated voltage : 1~ 220-240 V 50 Hz  
Nominal current : 4,2 A  
Degree of protection : IP 55

**Pump connection**

Suction side : 2" G / 2,5 bar (250 kPa)  
Discharge side : 2" G / 2,5 bar (250 kPa)

**Curve tolerance according to ISO 9906**



**Weight :** 11,1 kg

**Dimensions in mm**

A	542	L	6,5
B	300		
C	245		
D	257		
DNA	G2"		
DNM	G2"		
E	265		
F	220		
G	150		
H	317		
H1	222		
H2	314		
I	11		



# PERFORMANCE CURVES

2021-07-2€

Page 2 / 3

DAB PUMPS S.p.A.  
Via Marco Polo, 14 - 35035 Mestrino (PD), Italy  
Tel. +39 049 5125000 - Fax +39 049 5125950  
www.dabpumps.com

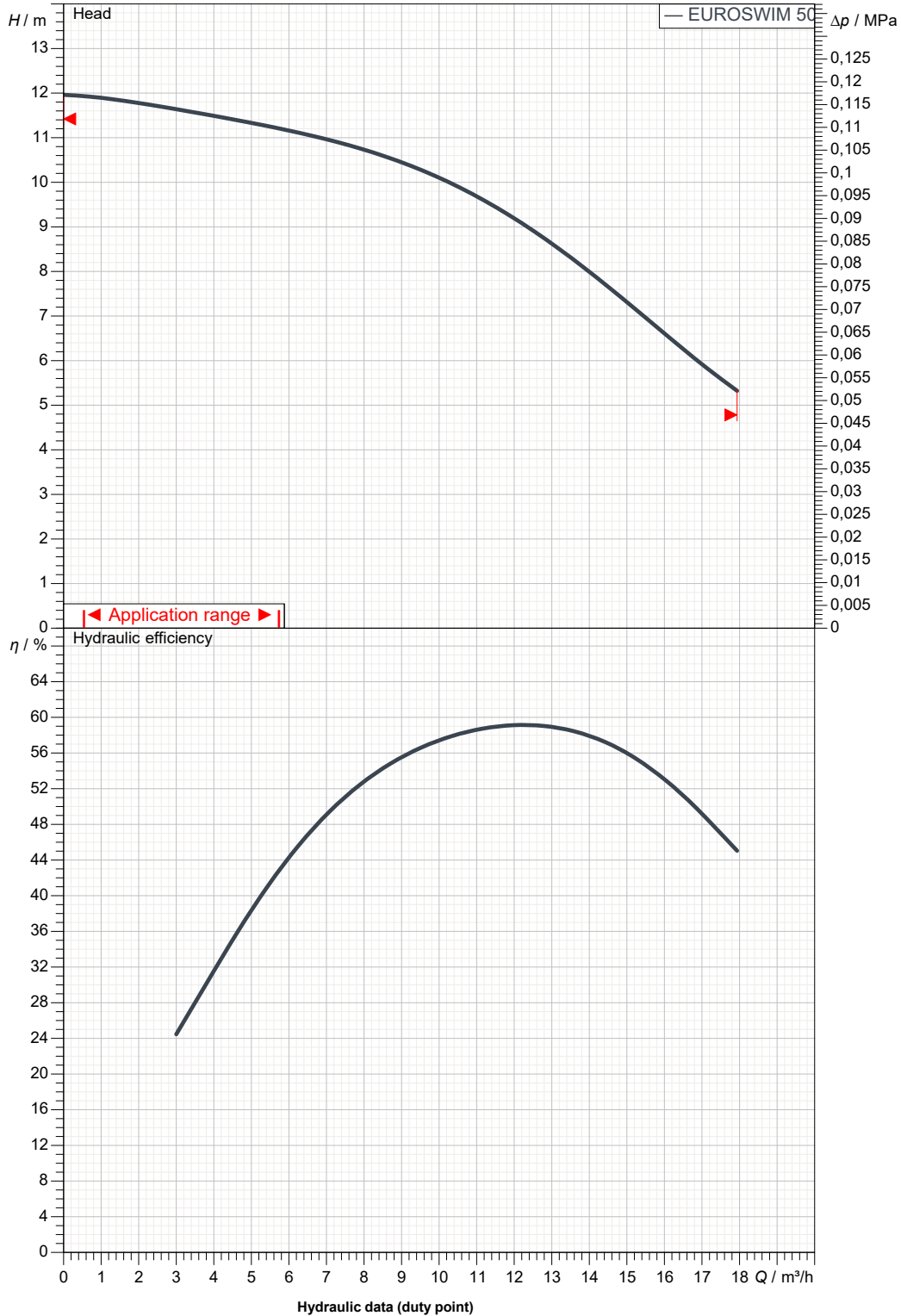
Receiver

From

Society  
Reference  
Address  
Phone  
Fax  
E-mail

## EUROSWIM 50 M

Curve tolerance according to ISO 9906



Suction side :  
2" G  
2,5 bar (250 kPa)

Discharge side :  
2" G  
2,5 bar (250 kPa)

Flow :

Head :

Rated speed :  
2.900 1/min

MAIN\_PROJECT\_TITLE

BUSINESS\_PROCESS\_ID

OWNER\_

ISSUE\_DATE

2021-07-28



# DIMENSIONAL DRAWING

DAB PUMPS S.p.A.  
Via Marco Polo, 14 - 35035 Mestrino (PD), Italy  
Tel. +39 049 5125000 - Fax +39 049 5125950  
www.dabpumps.com

2021-07-28

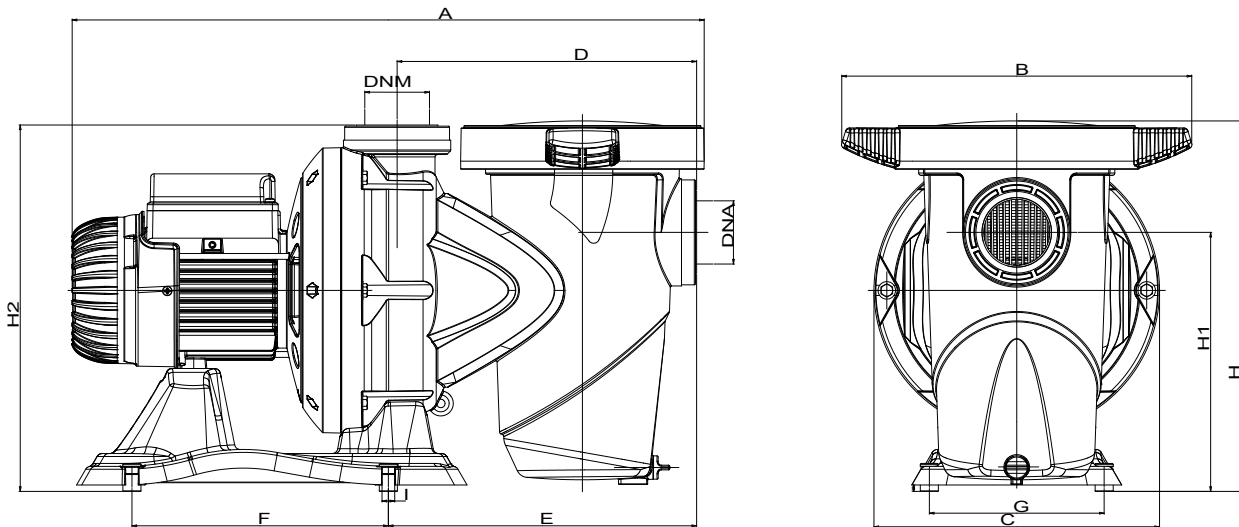
Page 3 / 3

Receiver

From

Society  
Reference  
Address  
Phone  
Fax  
E-mail

## EUROSWIM 50 M



**Dimensions in mm**

**Pump connection**

1	A	542	I	11					
2	B	300	L	6,5					Suction
3	C	245							2" G
4	D	257							2,5 bar (250 kPa)
5	DNA	G2"							
6	DNM	G2"							
7	E	265							Discharge
8	F	220							2" G
9	G	150							2,5 bar (250 kPa)
10	H	317							
11	H1	222							
12	H2	314							

MAIN\_PROJECT\_TITLE

BUSINESS\_PROCESS\_ID

OWNER

ISSUE\_DATE

**2021-07-28**