

**Receiver**

**From**

Society  
Reference  
Address  
Phone  
Fax  
E-mail

**Item n° :**

60122637

**Model :**

VERTY NOVA 400 M

**Pump data**

Free passage : 5 mm  
Pressure rating :  
Min. fluid temperature : 0 °C  
Max. fluid temperature : 35 °C  
Max. Ambient temperature :

**Requested data**

Flow :  
Head :  
Fluid : Water  
Fluid Temperature : 20 °C  
Density : 998,3 kg/m³  
Kinematic viscosity : 1,005 mm²/s  
Vapor pressure : 2,34 kPa

**Hydraulic data (duty point)**

Flow :  
Head :

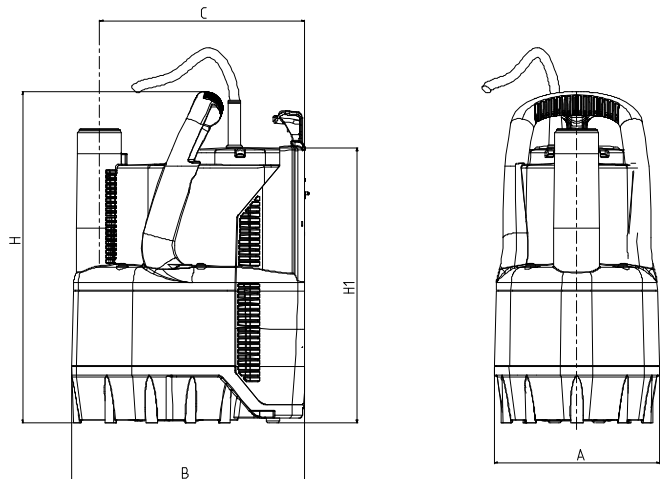
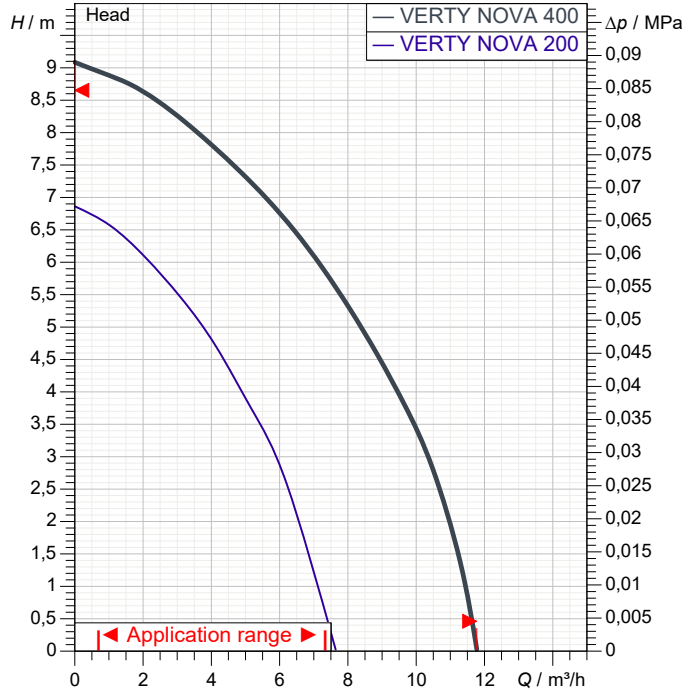
**Materials**

Pump body : Technopolymer  
Impeller : Noryl  
Motor casing : Stainless Steel AISI 304  
Motor shaft : AISI 416 X12 CrS 13 UNI EN 10088-1  
Float : Technopolymer  
OR ring : NBR 70  
Filter : Technopolymer

**Motor data**

Motor brand : DAB  
Nominal power P2 : 0,4 kW  
Rated speed : 2.800 1/min  
Rated voltage : 1~ 220-240 V 50 Hz  
Nominal current : 2,6 A  
Degree of protection : IP X8

Curve tolerance according to ISO 9906



**Weight :** 5,1 kg

**Dimensions in mm**

A	158				
B	225				
C	200				
D	33				
H	354				
H1	301				

**Pump connection**

Suction side : /  
Discharge side : 1" 1/4 G / --



# PERFORMANCE CURVES

2021-07-2€

Page 2 / 3

DAB PUMPS S.p.A.  
Via Marco Polo, 14 - 35035 Mestrino (PD), Italy  
Tel. +39 049 5125000 - Fax +39 049 5125950  
www.dabpumps.com

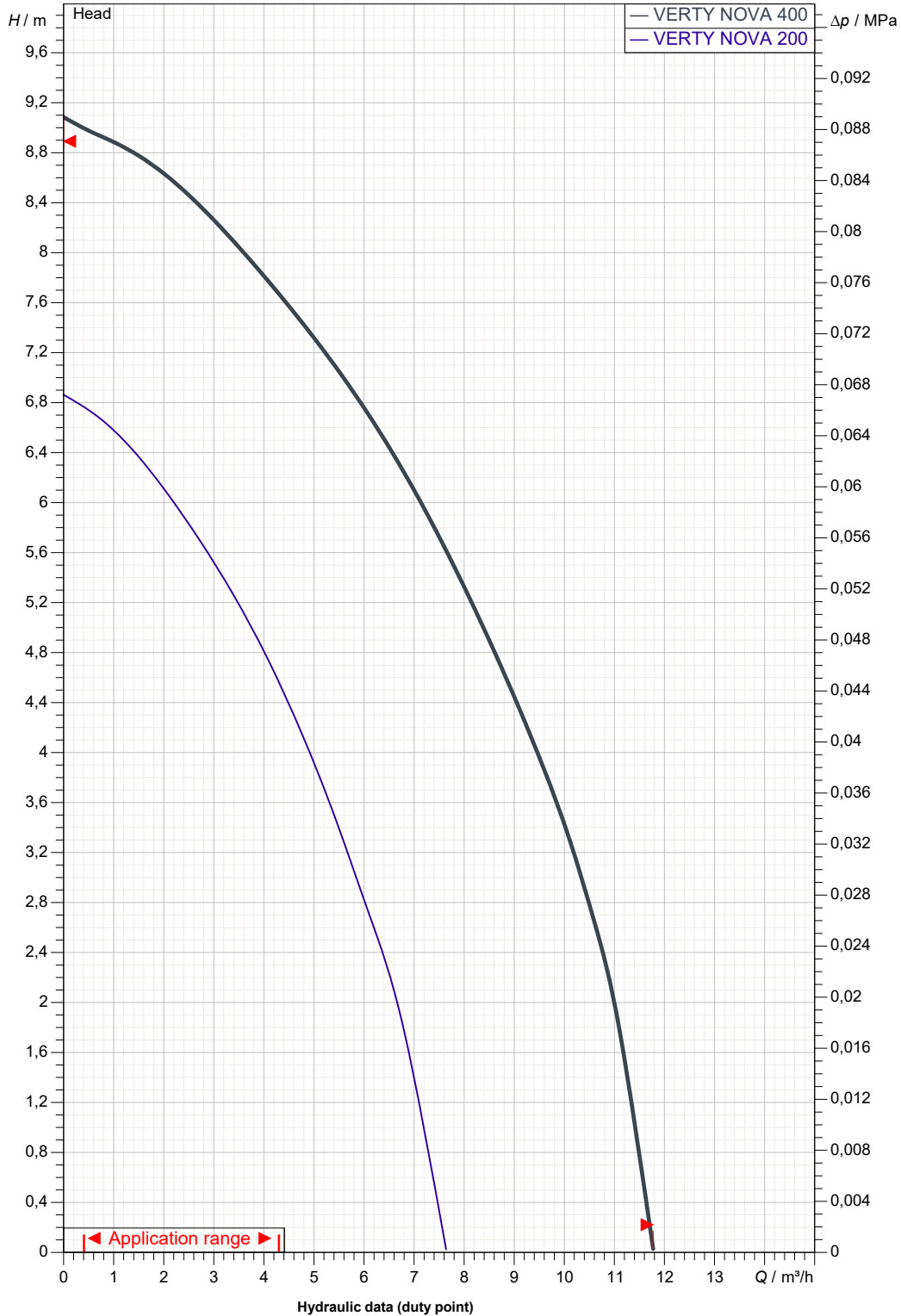
Receiver

From

Society  
Reference  
Address  
Phone  
Fax  
E-mail

## VERTY NOVA 400 M

Curve tolerance according to ISO 9906



Suction side :

Discharge side :  
1" 1/4 G  
--

Flow :

Head :

Rated speed :  
2.800 1/min

MAIN\_PROJECT\_TITLE

BUSINESS\_PROCESS\_ID

OWNER\_

ISSUE\_DATE

2021-07-28



# DIMENSIONAL DRAWING

2021-07-2€

Page 3 / 3

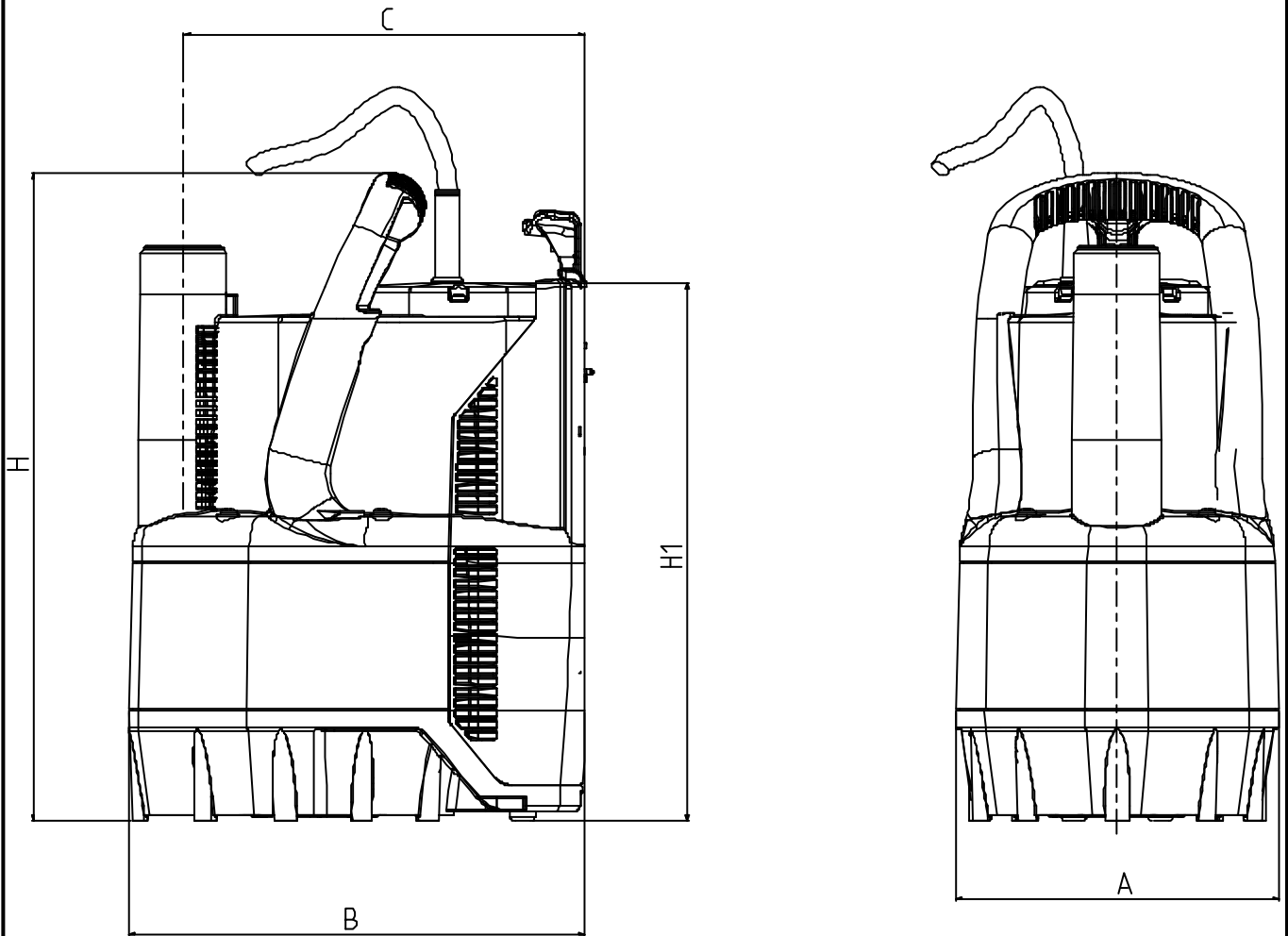
DAB PUMPS S.p.A.  
Via Marco Polo, 14 - 35035 Mestrino (PD), Italy  
Tel. +39 049 5125000 - Fax +39 049 5125950  
www.dabpumps.com

Receiver

From

Society  
Reference  
Address  
Phone  
Fax  
E-mail

## VERTY NOVA 400 M



### Dimensions in mm

Dimensions in mm			Pump connection			
1	A	158				Suction
2	B	225				
3	C	200				
4	D	33				
5	H	354				
6	H1	301				
7						Discharge 1" 1/4 G --
8						
9						
10						
11						
12						

MAIN\_PROJECT\_TITLE

BUSINESS\_PROCESS\_ID

OWNER\_

ISSUE\_DATE

2021-07-28